



A Series 3-Wheel Stand-up Counterbalanced Lift Truck

with capacity of 3,000 to 5,000lbs

The World of Hangcha



**Tough/
Reliable/
Smart**



Appearance

/ Space-saving design allows the truck to stack and retrieve goods efficiently in narrow aisles and at high lift heights.

Comfort

- / The stand driving mode is applicable. The step is low for conveniently getting on and off.
- / An anti-fatigue floor mat, generous padding for knees, hip and arms and spacious compartment keep operators comfortable over long shifts.
- / Spacious operator compartment provides a comfortable work environment for the operator.

High Performance

- / Thanks to the advanced front dual-drive AC motor, the traveling performance and the maneuverability are greatly improved as well as the operating efficiency.
- / HANGCHA's AC hydraulic system provides smooth load handling and precise load placements.
- / With the electric proportional multi-way valve, the energy consumption can be effectively reduced.

Safety

- / Cornering speed control automatically slows the forklift's travel speed while turning to help prevent damage to loads.
- / With the foot-raising type braking pedal, operation is easier.
- / The EPB(Electronic Parking Brake) improves the safety of the truck greatly.
- / With the pedal sensing system, the truck can be driven only if the driver stands on the pedal. After the operator leaves the truck, active braking is initiated to prevent accident.

Reliability

- / EPS (Electric Power Steering) promotes precise steering control with minimal effort, without encroaching into the operator compartment.



Wide mast provides perfect visibility and hydraulic cushioning provides confident and smooth load handling



Driver-Friendly Environment: The truck is designed for side stance operation and maximum driver comfort while traveling in either forward or reverse. The back and elbow supporting cushions can provide better support for the driver



Battery side roll out is the standard configuration, and the truck can adapt to both BCI and BS standard battery



The intuitive, multifunction control handle is centrally positioned for easy access to truck functions and offers simultaneous control of drive, lift, lower and auxiliary hydraulic functions



Standard specification

- / AC dual drive motors
- / AC pump motor
- / Multiple operation modes
- / EPS system
- / Regenerative braking
- / EPB(Electronic Parking Brake)
- / Cornering speed control
- / Operator Presence Sensing (OPS)
- / Shock-absorption pedal
- / Waist and elbow supporting cushion
- / Multi-functional and integrated instrument
- / Smooth cushion tires
- / Emergency power-off switch
- / Integrated operating handle
- / Quadruple and multi-way valve
- / 117" duplex mast
- / Electric horn
- / Cup holder and file holder
- / Low noise gear pump
- / 36V BS standard battery
- / Soft landing system
- / Battery side extraction

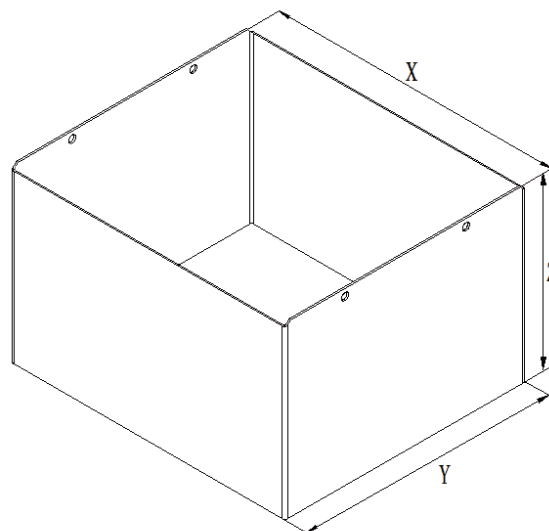
Options

- / LED work lights
- / Strobe light
- / Blue safety light
- / Sideshifter
- / Full free duplex mast
- / Full free triplex mast
- / Forks of several lengths
- / Attachments
- / Widened load bracket and fork carriage
- / Lower type overhead guard
- / Charger
- / Freezer
- / Password/card reading access system
- / 12V socket
- / USB charging output
- / Overhead fan
- / Fire extinguisher



Battery Compartment Specification

Model		CPDS15-AC4S	CPDS15-ALC4S	CPDS18-AC4S	CPDS20-AC4S	CPDS23-AC4S
Voltage	V	36	36	36	36	36
Capacity	Ah(5hr)	770	880	880	1100	1320
	Ah(max)	/	/	/	/	/
	Ah(min)	/	/	/	/	/
Battery Compartment	"X" Max.	mm (in)	975(38.4)	975(38.4)	975(38.4)	975(38.4)
	"Y" Max.	mm (in)	413(16.3)	460(18.1)	460(18.1)	535(21.1)
	"Z" Max.	mm (in)	810(31.9)	810(31.9)	810(31.9)	810(31.9)
Batt.Wt.	Maximum	Kg (lb)	1030(2270)	1202(2649)	1202(2649)	1393(3071)
	Minimum	Kg (lb)	903(1990)	1034(2279)	1034(2279)	1179(2599)



Battery compartment

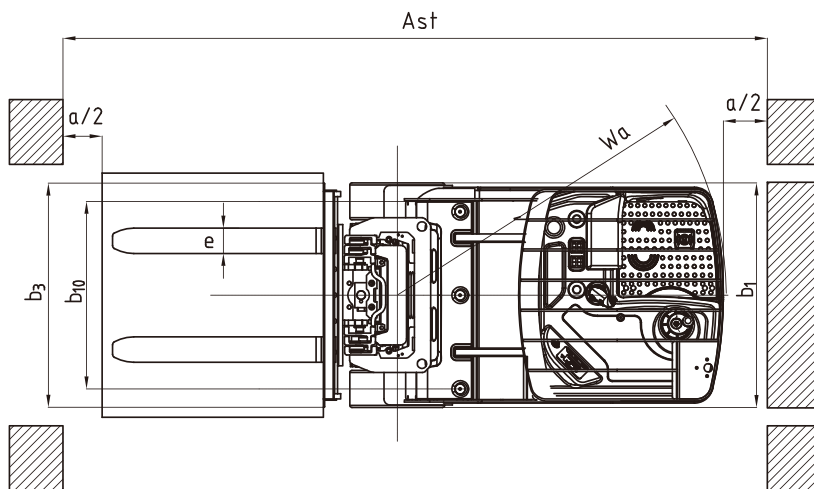
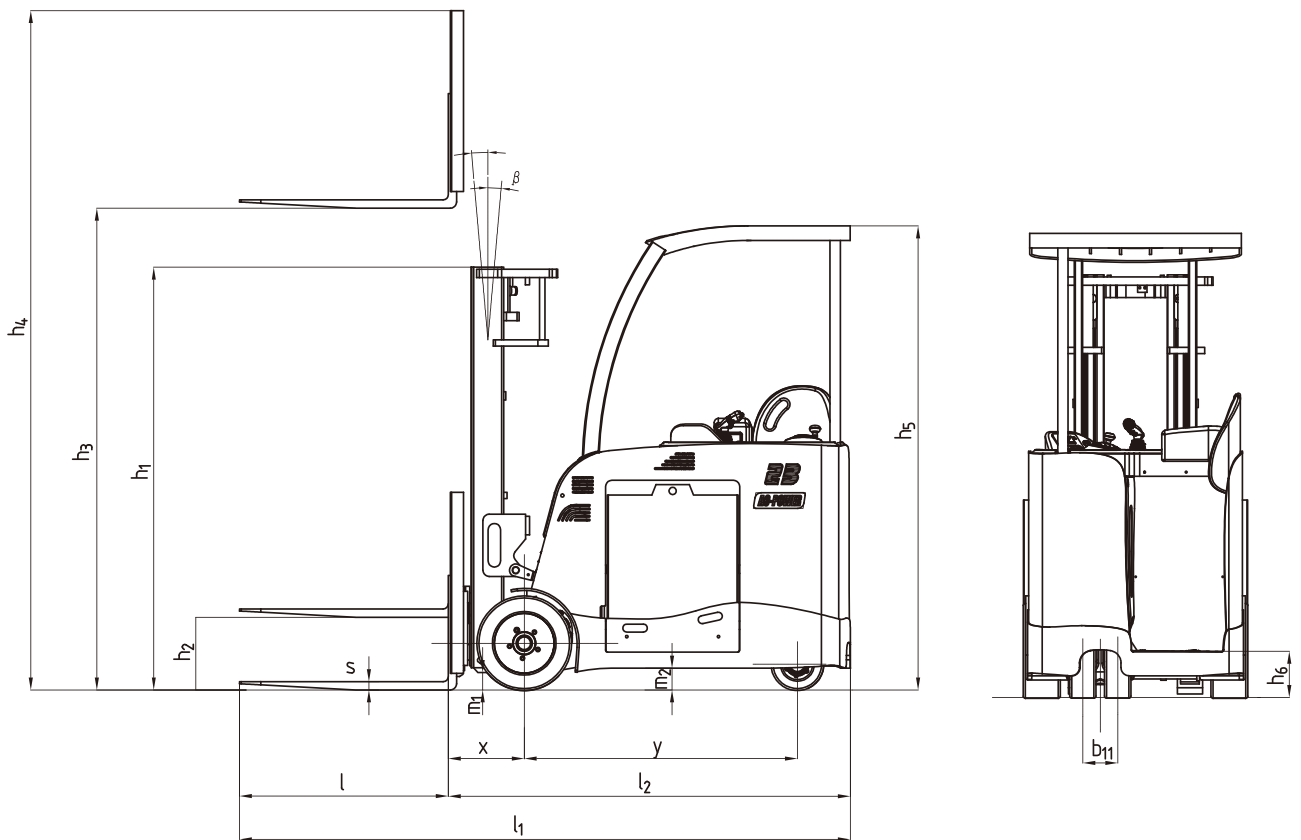
A Series 3-Wheel Stand-up Counterbalanced Lift Truck Specification

Distinguishing mark	1.1	Manufacturer (abbreviation)	HANGCHA GROUP CO.,LTD.						
		HCFA Model	FBT15S	FBT15SL	FBT18S	FBT20S	FBT23S		
	1.2	Manufacturers type designation	CPDS15-AC4S	CPDS15-ALC4S	CPDS18-AC4S	CPDS20-AC4S	CPDS23-AC4S		
	1.4	Operator type: hand, pedestrian, standing, seated, order-picker	stand up	stand up	stand up	stand up	stand up		
	1.5	Load capacity/rated load	Q (lbs)	3000	3000	3500	4000	5000	
	1.6	Load centre distance	c (in)	24	24	24	24	24	
	1.8	Load distance, centre of drive axle to fork	x (in)	12.6	12.6	12.6	12.8	12.8	
	1.9	Wheelbase	y (in)	43.2	45.1	45.1	48	51.8	
Weight	2.1	Service Weight	lbs	8290	8202	8643	9018	9900	
	2.2	Axle loading, laden front/rear	lbs	10386/904	10305/897	11171/972	11976/1042	13708/1192	
	2.3	Axle loading, unladen front/rear	lbs	4310/3980	4265/3937	4494/4149	4689/4329	5148/4752	
Tyres, chassis	3.1	Tyres		Cushion	Cushion	Cushion	Cushion	Cushion	
	3.2	Tyre size, front		18×7-12.125	18×7-12.125	18×7-12.125	18×7-12.125	18×7-12.125	
	3.3	Tyre size, rear		10×5-6.5	10×5-6.5	10×5-6.5	10×5-6.5	10×5-6.5	
	3.5	Wheels, number front rear (x = driven wheels)		2x/2	2x/2	2x/2	2x/2	2x/2	
	3.6	Tread, front	b ₀ (in)	35.6	35.6	35.6	35.6	35.6	
	3.7	Tread, rear	b ₁ (in)	6.6	6.6	6.6	6.6	6.6	
	Dimensions	4.1	Tilt of mast/fork carriage forward/backward	Grad	5/5	5/5	5/5	5/5	5/5
4.2		Height, mast lowered	h ₁ (in)	78	78	78	78	78	
4.3		Free lift	h ₂ (in)	6.3	6.3	6.3	6.3	6.3	
4.4		Lift	h ₃ (in)	118	118	118	118	118	
4.5		Height, mast extended	h ₄ (in)	144	144	144	144	144	
4.7		Height of overhead guard	h ₅ (in)	87.8	87.8	87.8	87.8	87.8	
4.8		stand floor height	h ₆ (in)	8.6	8.6	8.6	8.6	8.6	
4.19		Overall length	l ₁ (in)	102.1	103.9	103.9	107	110.8	
4.20		Length to face of forks	l ₂ (in)	65.8	67.7	67.7	70.8	74.6	
4.21		Overall width	b ₁ (in)	42.6	42.6	42.6	42.6	42.6	
4.22		Fork dimensions	s/e/l (in)	1.37/3.9/36.2	1.37/3.9/36.2	1.37/3.9/36.2	1.57/4.8/36.2	1.57/4.8/36.2	
4.23		Fork carriage DIN 15 173 --- ISO 2328, class/type A,B		ISO2328 3A	ISO2328 3A	ISO2328 3A	ISO2328 3A	ISO2328 3A	
4.24		Fork-carriage width	b ₃ (in)	39.4	39.4	39.4	39.4	39.4	
4.31		Ground clearance, laden, below mast	m ₁ (in)	3.9	3.9	3.9	3.9	3.9	
4.32		Ground clearance, centre of wheelbase	m ₂ (in)	3.8	3.8	3.8	3.8	3.8	
4.33		Aisle width for pallets 1000 x 1200 crossways	A _{st} (in)	118.8	120.6	120.6	123.8	127.6	
4.34		Aisle width for pallets 800 x 1200 crossways	A _{st} (in)	123.6	125.4	125.4	128.6	132.4	
4.35	Turning radius	W _a (in)	53.8	55.7	55.7	58.6	62.4		
Performance data	5.1	Travel speed, laden/unladen	mph	7.7/8	7.7/8	7.7/8	7.7/8	7.7/8	
	5.2	Lift speed, laden/unladen	fpm	78/110	78/110	68/110	62/110	59/110	
	5.3	Lowering speed, laden/unladen	fpm	93/83	93/83	93/83	93/83	93/83	
	5.7	Gradeability, laden/unladen	%	15/15	15/15	15/15	15/15	15/15	
	5.8	Max. gradeability, laden/unladen	%	15/15	15/15	15/15	15/15	15/15	
	5.9	Acceleration time, laden/unladen (0-10m)	s	6.1/6	6.1/6	6.1/6	6.1/6	6.1/6	
	5.10	Service brake		electric	electric	electric	electric	electric	
	5.11	Parking brake		electric	electric	electric	electric	electric	
	Electric-engine	6.1	Drive motor rating S2 60 min	kW	4.2×2 AC	4.2×2 AC	4.2×2 AC	4.2×2 AC	4.2×2 AC
		6.2	Lift motor rating at S3 15%	kW	10AC	10AC	10AC	10AC	10AC
6.4		Battery voltage, nominal capacity K5	V/Ah	36/770	36/880	36/880	36/1100	36/1320	
6.5		Battery weight	lbs	2162	2469	2469	2799	3414	
6.6		Battery dimensions	l/b/h(in)	38.4×16.3×31.9	38.4×18.1×31.9	38.4×18.1×31.9	38.4×21.1×31.9	38.4×24.8×31.9	
6.8		Min. battery weight	lbs	1990	2279	2279	2599	2700	
6.9		Max. battery weight	lbs	2270	2649	2649	3071	3584	
6.10		Battery roller height	in	6.8	6.8	6.8	6.8	6.8	
Addition data		8.1	Manufacturer of controller		CURTIS	CURTIS	CURTIS	CURTIS	CURTIS
		8.2	Oil volume for attachments	l/min	20	20	20	20	20
	8.3	Sound level at the driver 's ear according to EN / DIN 12 053	dB (A)	63	63	63	63	63	

3,000-5,000lb A series mast:

Type	Model	Lifting height	Lowered height	Overall height		Free lifting height		Tilting range		Capacity				
				With backrest	Without backrest	With backrest	Without backrest	Forward	Backward	Load center@24inch				
				in	in	in	in	deg	deg	3000lbs	3000lbs L	3500lbs	4000lbs	5000lbs
Duplex wide view mast	M270	106	72	144	127	6.3	6.3	5	5	3000	3000	3500	4000	5000
	M300	118	78	156	139	6.3	6.3	5	5	3000	3000	3500	4000	5000
	M330	130	84	168	151	6.3	6.3	5	5	3000	3000	3500	4000	5000
	M360	142	92	179	163	6.3	6.3	5	5	3000	3000	3500	4000	5000
	M400	157	102	195	179	6.3	6.3	5	5	3000	3000	3500	4000	5000
	M430	169	107	207	190	6.3	6.3	3.5	5	3000	3000	3500	4000	5000
2-stage full-free lifting mast	U270	106	72	144	131	31	44	5	5	3000	3000	3500	4000	5000
	U300	118	78	155	143	41	53	5	5	3000	3000	3500	4000	5000
	U330	130	84	167	154	47	59	5	5	3000	3000	3500	4000	5000
	U360	142	90	179	166	53	65	5	5	3000	3000	3500	4000	5000
	U400	157	100	195	182	62	75	5	5	3000	3000	3500	4000	5000
	U400	157	74	195	182	37	50	3.5	5	3000	3000	3500	4000	5000
3-stage full-free lifting mast	N430	169	78	206	194	41	53	3.5	5	3000	3000	3500	4000	5000
	N450	177	80	215	202	43	55	3.5	5	3000	3000	3500	4000	4779
	N470	185	83	222	210	46	58	3.5	5	2800	2800	3400	3800	4559
	N480	189	84	227	214	47	59	3.5	5	2800	2800	3400	3800	4559
	N500	197	87	234	221	50	62	3.5	5	2600	2600	3200	3600	4338
	N550	217	94	254	241	56	69	3.5	5	2200	2200	2800	3200	3897
	N600	236	102	273	261	64	77	3.5	5	1800	1800	2400	2800	3456
	N650	256	111	293	280	74	87	3.5	5	1400	1400	2000	2400	3015
N700	276	117	313	300	80	93	3.5	5	1000	1000	1600	2000	2574	

With sideshifter minus 440lb(200kg),with integral sideshifter minus 220lb(100kg).





HC FORKLIFT AMERICA CORPORATION

Company address:
10405-A Granite Street Charlotte,
NC 28273

Toll Free: 888-652-8395
Phone: 980-888-8335
Fax: 980-888-8336

america@hcforklift.com
www.hcforkliftamerica.com



Follow us on
Facebook



Follow us on
YouTube



Follow us on
WeChat

HANGCHA GROUP CO., LTD. reserves the right to make any changes without notice concerning colors, equipment, or specifications detailed in this brochure, or to discontinue individual models. The colors of trucks, delivered may differ slightly from those in brochures.