



X Series Four-wheel Electric Cushion Tire Truck

with capacities of 3,000 to 6,500lbs

The World of Hangcha



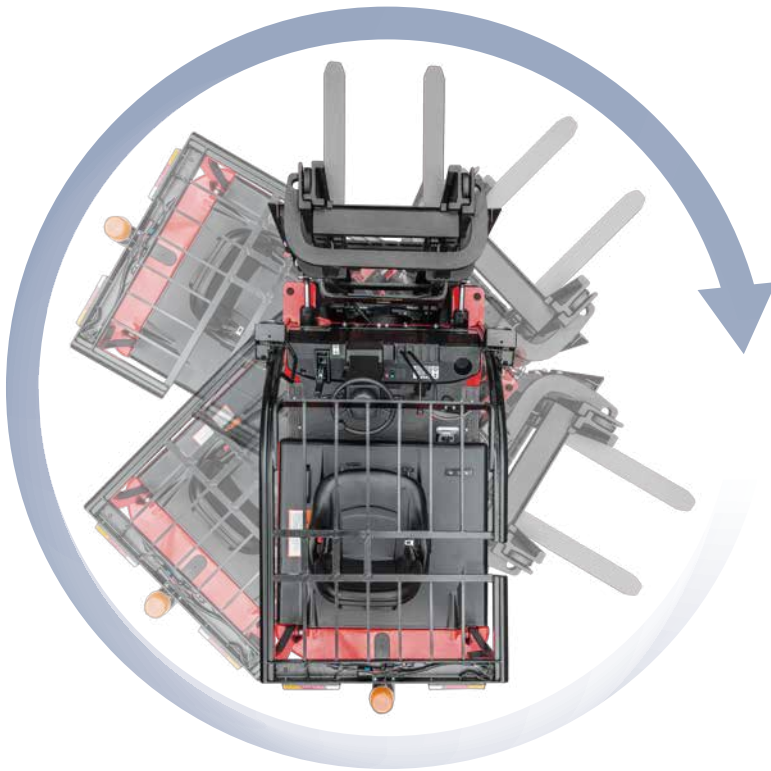
X SERIES 4-WHEEL ELECTRIC CUSHION

APPEARANCE

The entire truck is small and flexible, with compact design. The orthodrome, streamline, and surface modeling that are popular in the world are applied, rendering elegant and aesthetic appearance, and stronger streamlining.

HIGH EFFICIENCY

- / Several speed modes are provided to accommodate different working conditions.
- / High-power oil pump motor and large displacement gear pump are applied to increase lifting and lowering speed, and improve working efficiency.
- / Regenerative braking system can save electric energy effectively and increase hours of use for single battery charging.



With small turning radius, the truck can be operated in narrow aisle.







COMFORT

- / With steering wheel that is designed based on ergonomics with dip angle adjustable, and the driver seat that can be adjusted within 5.9" forward and backward, the operator can choose the best driving position.
- / The integral rubber & plastic pedal pad allows the operator to get on and off the truck comfortably and safely.
- / The LCD color monitor Electrical Forklift display allows the operator to easily and efficiently control the machine. The monitor provides information about speed level, steer angle & travel direction, battery discharge indicator, hour meter & working mode. The operator can select various performance modes to meet all working conditions.
- / Silent, low-vibration, and comfortable seat offers the operator a comfortable working environment.



Advanced LCD Display



EASY MAINTENANCE

- / Tool-free removal of baseplate enables easy service and maintenance of various systems.
- / Brake fluid can be added very conveniently by opening the shield cover and oil tank cover.



Easy battery replacement

The battery compartment is equipped with a side battery removal assembly for easy removal and replacement.



Innovative dual-door structure, with one door at left side and right side of the truck respectively, enables easy maintenance of oil pump motor, oil pump, and electric control of the truck, with good waterproof and dustproof performance.

ADVANCEMENT

- / Motor controller, contactor, battery socket, and other main electric elements are all well known brands.
- / Efficient running control system of high-frequency MOSFET integrated controller guarantees smooth and accurate control on running and lifting, and superior speed regulation performance, with regenerative braking, reverse braking, anti-slipping on slope and other functions.



Easy access to brake fluid reservoir



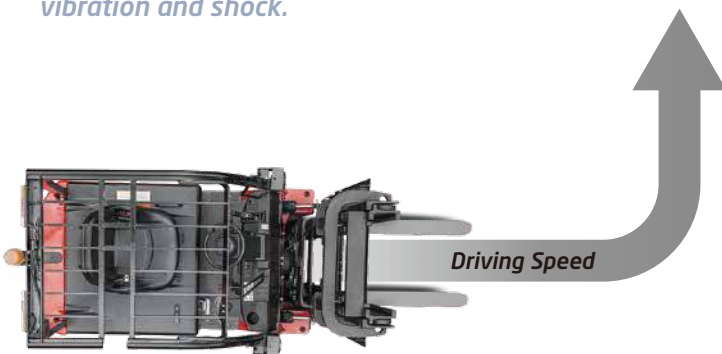
SAFETY



On-demand power steering for smooth, responsive operation while isolating vibration and shock.



Rear handle with horn offers higher safety when the operator is reversing the truck.



Strong overhead guard

Exceeding EEC and ANSI regulations, the overhead guard offers great protection combined with excellent all around visibility.



Excellent visibility for safe operation

Optimized lift cylinder arrangement provides operator with wider visibility. Full-view rear view mirror provides wider rear view, safer for operation.



Safety lamps

LED headlamps and grouped lamps can offer better visibility for the operators under various conditions.





The operator presence sensing(OPS) system will cut off all actions of the mast and running actions of the truck to increase safety when operator leaves the seat.

Fork safety features

When the forks are being lowered, a lowering control valve maintains the controlled speed. The lowering safety valve prevents forks from dropping down in case of sudden damage of hydraulic line.

Electronic and hydraulic overload protection device.



STANDARD SPECIFICATION

- / 4 pre-set performance modes (Super、Power、Economy、SPE)
- / LED headlamp, direction indication lamp, LED rear combination lamp
- / DC-DC converter
- / Back-up beeper
- / Dual-spool multi-way valve
- / Load sensing, on-demand AC controlled hydraulic power steering
- / Smooth cushion tires
- / Full-view rear view mirror
- / 27.2" battery compartment(3000 - 3500 lb)
- 30.5" battery compartment(4000 - 5000 lb)
- 34.3" battery compartment(5000 - 6500 lb)
- / Duplex wide-view mast
- / AC traction motor
- / AC pump motor
- / Strobe light

OPTIONS

- / Cold storage
- / Blue light
- / Battery charger
- / Fire extinguisher
- / Finger Tip Control
- / 12 Volt power supply
- / Battery side extraction
- / Traction tires
- / Non-marking tires
- / Wide-view full free lift duplex mast
- / Wide-view full free lift triplex mast
- / Fork of other lengths
- / Sideshifter
- / Other accessories
- / Drive In Rack Overhead Guard
- / Full suspension seat
- / OPS / Operator presence sensing system OPS
- / Rear assist grip with horn button

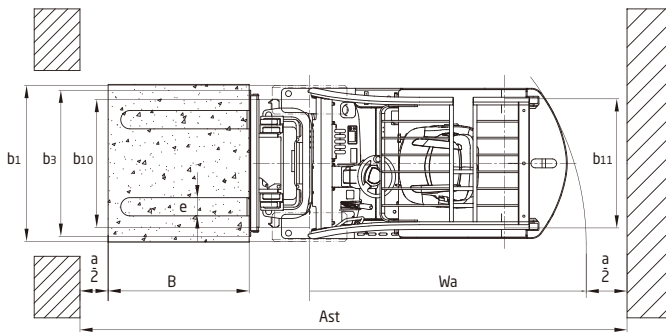
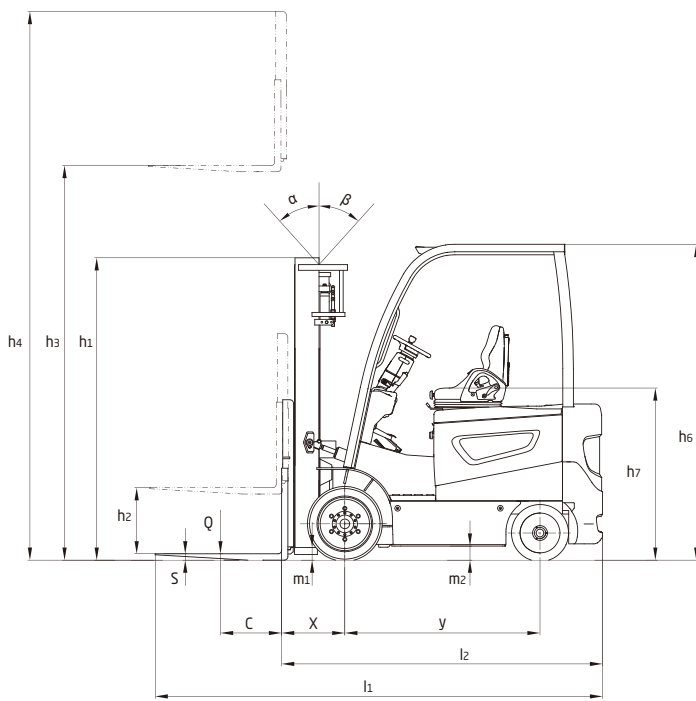
X Series 3,000~6,500lb 4-Wheel Electric Cushion Tire Truck Specification

Characteristics	1.1	Manufacturer									
		HCFA Model				FB15C	FB18C	FB20C			
	1.2	Model				CPD15-XD2-C	CPD18-XD2-C	CPD20-XD2-C			
	1.3	Power Type: Electric, Gas, Diesel, LPG		volts		Electric(36V)	Electric(48V)	Electric(36V)	Electric(48V)	Electric(36V)	Electric(48V)
	1.4	Operation Type				Sit down	Sit down	Sit down	Sit down	Sit down	
	1.5	Load capacity/rated load	Q	lb(kg)		3000(1350)	3500(1570)	3500(1570)	4000(1810)	4000(1810)	
	1.6	Load centre	c	in(mm)		24(600)	24(600)	24(600)	24(600)	24(600)	
	1.7	Load distance, centre of drive axle to fork	x	in(mm)		15.4(391)	15.4(391)	15.4(391)	16.8(427)	16.8(427)	
1.8	Wheelbase	y	in(mm)		48(1220)	48(1220)	48(1220)	51(1295)	51(1295)		
Weight	2.1	Service weight		lb(kg)		6920(3140)	7190(3260)	7190(3260)	8928(4050)	8928(4050)	
	2.2	Front axle load, laden		lb(kg)		1340(610)	1430(650)	1430(650)	11404(5173)	11404(5173)	
	2.3	Rear axle load, unladen		lb(kg)		8550(3880)	9210(4180)	9210(4180)	1933(877)	1933(877)	
	2.4	Front axle load, laden		lb(kg)		2840(1290)	2910(1320)	2910(1320)	3725(1690)	3725(1690)	
	2.5	Rear axle load, unladen		lb(kg)		4090(1850)	4280(1940)	4280(1940)	5202(2360)	5202(2360)	
Tyres	3.1	Tyres type				Cushion	Cushion	Cushion	Cushion	Cushion	
	3.2	Tyre size, front				18x6x12 -1/8	18x6x12 -1/8	18x6x12 -1/8	21x7x15	21x7x15	
	3.3	Tyre size, rear				14x5x10	14x5x10	14x5x10	16x5x10-1/2	16x5x10-1/2	
	3.4	Number of wheels, front / rear(x=drive)				2x/2	2x/2	2x/2	2x/2	2x/2	
	3.5	Track width, front	b10	in(mm)		31.9(810)	31.9(810)	31.9(810)	35(890)	35(890)	
	3.6	Track width, rear	b11	in(mm)		33.7(855)	33.7(855)	33.7(855)	36.2(920)	36.2(920)	
Dimensions	4.1	Tilt of mast/fork carriage forward/backward	α/β	(°)		6/8	6/8	6/8	6/8	6/8	
	4.2	Height, mast lowered	h1	in(mm)		77.3(1963.5)	77.3(1963.5)	77.3(1963.5)	77.6(1970)	77.6(1970)	
	4.3	Height, mast extended	h4	in(mm)		155.7(3955)	155.7(3955)	155.7(3955)	159.3(4045)	159.3(4045)	
	4.4	Free lift	h2	in(mm)		5.3(135)	5.3(135)	5.3(135)	5.5(140)	5.5(140)	
	4.5	Lift	h3	in(mm)		118.1(3000)	118.1(3000)	118.1(3000)	118.1(3000)	118.1(3000)	
	4.6	Overhead guard height	h6	in(mm)		87.6(2225)	87.6(2225)	87.6(2225)	88.6(2250)	88.6(2250)	
	4.7	Overall length	l1	in(mm)		112.2(2849)	112.2(2849)	112.2(2849)	125.6(3192)	125.6(3192)	
	4.8	Length to fork face	l2	in(mm)		75.9(1929)	75.9(1929)	75.9(1929)	83.5(2122)	83.5(2122)	
	4.9	Overall width	b1	in(mm)		38(964)	38(964)	38(964)	42.1(1070)	42.1(1070)	
	4.10	Fork dimensions	s×e×l	in(mm)		1.4×3.9×36.2(35/100/920)	1.4×3.9×36.2(35/100/920)	1.4×3.9×36.2(35/100/920)	1.6×5×42(40/125/1070)	1.6×5×42(40/125/1070)	
	4.11	Carriage DIN 15 173, class/type A/B				IIA	IIA	IIA	IIA	IIA	
	4.12	Carriage width	b3	in(mm)		35.4(900)	35.4(900)	35.4(900)	40.9(1038)	40.9(1038)	
	4.13	Ground clearance, with load, below mast	m1	in(mm)		3.3(83.5)	3.3(83.5)	3.3(83.5)	3.5(90)	3.5(90)	
	4.14	Ground clearance, center of wheelbase	m2	in(mm)		3.4(86)	3.4(86)	3.4(86)	3.9(100)	3.9(100)	
4.15	Aisle width for pallets 1000 x 1200 crossways	Ast	in(mm)		130(3300)	130(3300)	130(3300)	137.6(3495)	137.6(3495)		
4.16	Aisle width for pallets 800 x 1200 lengthways	Ast	in(mm)		137.8(3500)	137.8(3500)	137.8(3500)	145.5(3695)	145.5(3695)		
4.17	Turning radius, outside	wa	in(mm)		67.3(1710)	67.3(1710)	67.3(1710)	72.8(1850)	72.8(1850)		
Performance data	5.1	Travel speed, laden/unladen		mph (km/h)		9.0(14.5)/9.3(15)	10.9(17.5)/11.2(18)	8.7(14)/8.3(15)	10.6(17)/11.2(18)	9.6(15.5)/10.9(17.5)	11.5(18.5)/11.5(18.5)
	5.2	Lift speed, laden/unladen		fpm (mm/s)		61(310)/110(560)	85(430)/142(720)	61(310)/110(560)	81(410)/142(720)	66.9(340)/106.3(540)	88.6(450)/129.9(660)
	5.3	Lowering speed, laden/unladen		fpm (mm/s)		98(500)/108(550)	98(500)/108(550)	98(500)/108(550)	98(500)/108(550)	98.4(500)/98.4(500)	98.4(500)/98.4(500)
	5.4	Max. Drawbar pull, laden/unladen		lbf(N)		2100(9350)/1710(7600)	2100(9350)/1710(7600)	2080(9250)/1680(7460)	2080(9250)/1680(7460)	3316(14750)/2142(9530)	3316(14750)/2142(9530)
	5.5	Max. gradeability, laden/unladen		%		20/21	20/21	20/21	20/21	23/25	23/25
	5.6	Service brake, operation / control				Pedal / Hydraulic	Pedal / Hydraulic	Pedal / Hydraulic	Pedal / Hydraulic	Pedal / Hydraulic	Pedal / Hydraulic
	5.7	Parking brake, operation / control				Hand / Mechanical	Hand / Mechanical	Hand / Mechanical	Hand / Mechanical	Hand / Mechanical	Hand / Mechanical
	5.8	Steering, type				Hydraulic	Hydraulic	Hydraulic	Hydraulic	Hydraulic	Hydraulic
Drive	6.1	Traction motor, 60 minute rating		HP (kW)		14.8(11)	14.8(11)	14.8(11)	24.1(18)	24.1(18)	
	6.2	Pump motor, 15 minute rating		HP (kW)		18.4(13.7)	18.4(13.7)	18.4(13.7)	24.1(18)	24.1(18)	
	6.3	Battery voltage		volts		36	48	36	48	36	48
	6.4	Battery capacity, minimum		Ah/6 hr. rate		630	510	630	510	1020	765
	6.5	Battery capacity, maximum		Ah/6 hr. rate		800	600	800	600	1320	990
	6.6	Battery weight, minimum		lb(kg)		1940(880)	1940(880)	1940(880)	2400(1088)	2400(1088)	
	6.7	Battery weight, maximum		lb(kg)		2145(970)	2145(970)	2145(970)	3154(1431)	3154(1431)	
Other	7.1	Motor control				MOSFET AC	MOSFET AC	MOSFET AC	MOSFET AC	MOSFET AC	
	7.2	Working pressure for attachments		psi (bar)		2280(157)	2280(157)	2280(157)	2698(181)	2698(181)	
	9.1	Manufacturer				Inmotion	Inmotion	Inmotion	Inmotion	Inmotion	

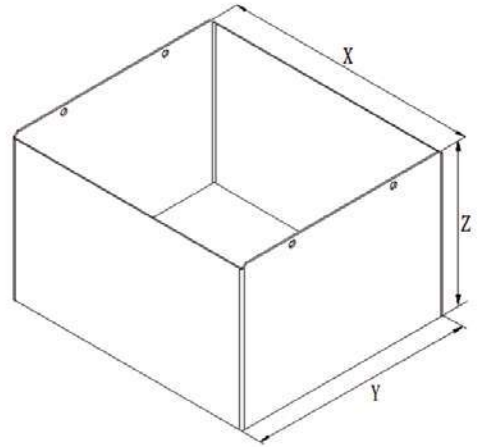
NOTE: Most values shown in this publication are rounded. Therefore, direct conversion between metric and English or Imperial may be slightly different from those shown. The performance of machines is affected by the condition of the vehicle and how it is equipped as well as the nature and condition of the operating area. If these specifications are critical or if your needs exceed the specifications shown here, discuss the proposed application with your authorized dealer.

HANGCHA GROUP CO.,LTD.

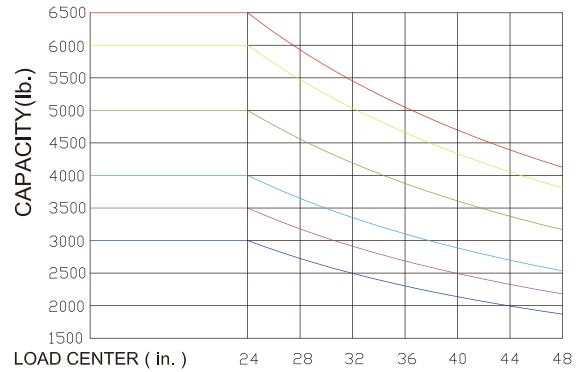
FB25C		FB25CL		FB30C		FB32C	
CPD25-XD2-C		CPD25-XLD2-C		CPD30-XD2-C		CPD32-XD2-C	
Electric(36V)	Electric(48V)	Electric(36V)	Electric(48V)	Electric(36V)	Electric(48V)	Electric(36V)	Electric(48V)
Sit down		Sit down		Sit down		Sit down	
5000(2270)		5000(2270)		6000(2720)		6500(2950)	
24(600)		24(600)		24(600)		24(600)	
16.8(427)		16.8(427)		17.7(450)		17.7(450)	
51(1295)		54.7(1390)		54.7(1390)		54.7(1390)	
9634(4370)		9745(4420)		10695(4850)		11100(5040)	
13126(5954)		13000(5900)		15212(6900)		15830(7180)	
2019(916)		1810(820)		2094(950)		2340(1060)	
3540(1606)		3820(1735)		4079(1850)		3960(1795)	
6093(2764)		5480(2485)		6614(3000)		7165(3250)	
Cushion		Cushion		Cushion		Cushion	
21x7x15		21x7x15		21x8x15		21x8x15	
16x5x10-1/2		16x5x10-1/2		16x6x10-1/2		16x6x10-1/2	
2x/2		2x/2		2x/2		2x/2	
35(890)		35(890)		35.8(910)		35.8(910)	
36.2(920)		36.2(920)		36.2(920)		36.2(920)	
6/8		6/8		6/8		6/8	
77.6(1970)		77.6(1970)		77.6(1970)		77.6(1970)	
159.3(4045)		159.3(4045)		163.2 (4145)		163.2 (4145)	
5.5(140)		5.5(140)		5.3(135)		5.3(135)	
118.1(3000)		118.1(3000)		118.1(3000)		118.1(3000)	
88.6(2250)		88.6(2250)		88.6(2250)		88.6(2250)	
127(3226)		129.4(3287)		132.1(3356)		132.9(3376)	
84.8(2156)		87.2(2217)		90(2286)		91.2(2316)	
42.1(1070)		42.1(1070)		43.8(1113)		43.8(1113)	
1.6×5×42(40/125/1070)		1.6×5×42(40/125/1070)		1.8×5×42(45/125/1070)		1.8×5×42(45/125/1070)	
IIA		IIA		IIIA		IIIA	
40.9(1038)		40.9(1038)		43.3(1100)		43.3(1100)	
3.5(90)		3.5(90)		3.5(90)		3.5(90)	
3.9(100)		3.9(100)		3.9(100)		3.9(100)	
137.6(3495)		141.9(3605)		142.5(3620)		143.3(3640)	
145.5(3695)		149.8(3805)		150.4(3820)		151.2(3840)	
72.8(1850)		77.2(1960)		77.6(1970)		78.7(2000)	
9.6 (15.5)/10.9(17.5)	11.5 (18.5)/11.5(18.5)	9.6 (15.5)/10.9(17.5)	11.5 (18.5)/11.5(18.5)	9.0 (14.5)/10.6(17.0)	11.2(18)/11.5(18.5)	9.0 (14.5)/10.6(17.0)	11.2(18)/11.5(18.5)
59.1(300)/106.3(540)	78.7(400)/129.9(660)	59.1(300)/106.3(540)	78.7(400)/129.9(660)	53.1(270)/96.5(490)	69(350)/116.1(590)	47.2(240)/90.1(460)	65(330)/116.1(590)
98.4(500)/98.4(500)		98.4(500)/98.4(500)		98.4(500)/98.4(500)		98.4(500)/98.4(500)	
3290(14640)/2010(8950)		3290(14640)/2560(11380)		3160(14070)/2350(10440)		3160(14070)/2270(10100)	
19/21		21/24		17/20		17/19	
Pedal / Hydraulic		Pedal / Hydraulic		Pedal / Hydraulic		Pedal / Hydraulic	
Hand / Mechanical		Hand / Mechanical		Hand / Mechanical		Hand / Mechanical	
Hydraulic		Hydraulic		Hydraulic		Hydraulic	
24.1(18)		24.1(18)		24.1(18)		24.1(18)	
24.1(18)		24.1(18)		24.1(18)		24.1(18)	
36	48	36	48	36	48	36	48
1020	765	1020	765	1190	850	1190	850
1320	990	1540	1100	1540	1100	1540	1100
2400(1088)		3000(1360)		3000(1360)		3000(1360)	
3154(1431)		3555(1613)		3555(1613)		3555(1613)	
MOSFET AC		MOSFET AC		MOSFET AC		MOSFET AC	
2698(181)		2698(181)		2698(181)		2698(181)	
Inmotion		Inmotion		Inmotion		Inmotion	



$Ast = B + Wa + x + a$
 B: Load Length a: Clearance (7.9inch)



Load curve



3,000/3,500lb X series mast: (cushion)

Type	Model	Lifting height in(mm)	Overall height				Free lifting height		Front Overhang in(mm)	Tilting range		Capacity	
			Lowered in(mm)	Extended		With backrest in(mm)	Without backrest in(mm)	Forward deg		Backward deg	Load capacity at 24 in (600mm)		
				With backrest in(mm)	Without backrest in(mm)						3000lb	3500lb	
Duplex wide view mast	XC15M200	78.7(2000)	57.6(1463.5)	116.3(2955)	99.7(2533)	5.3(135)	5.3(135)	15.4(391)	6	6	3000(1350)	3500(1570)	
	XC15M250	98.4(2500)	67.5(1713.5)	136(3455)	119.4(3033)	5.3(135)	5.3(135)	15.4(391)	6	8	3000(1350)	3500(1570)	
	XC15M270	106.3(2700)	71.4(1813.5)	143.9(3655)	127.3(3233)	5.3(135)	5.3(135)	15.4(391)	6	8	3000(1350)	3500(1570)	
	XC15M300	118.1(3000)	77.3(1963.5)	155.7(3955)	139.1(3533)	5.3(135)	5.3(135)	15.4(391)	6	8	3000(1350)	3500(1570)	
	XC15M330	129.9(3300)	83.2(2113.5)	167.5(4255)	150.9(3833)	5.3(135)	5.3(135)	15.4(391)	6	8	3000(1350)	3500(1570)	
	XC15M350	137.8(3500)	87.1(2213.5)	175.4(4455)	158.8(4033)	5.3(135)	5.3(135)	15.4(391)	6	8	3000(1350)	3500(1570)	
	XC15M360	141.7(3600)	91.1(2313.5)	179.3(4555)	162.7(4133)	5.3(135)	5.3(135)	15.4(391)	6	8	3000(1350)	3500(1570)	
	XC15M370	145.7(3700)	93.1(2363.5)	183.3(4655)	166.7(4233)	5.3(135)	5.3(135)	15.4(391)	6	8	3000(1350)	3500(1570)	
	XC15M400	157.5(4000)	100.9(2563.5)	195.1(4955)	178.5(4533)	5.3(135)	5.3(135)	15.4(391)	6	8	3000(1350)	3500(1570)	
	XC15M430	169.3(4300)	106.8(2713.5)	206.9(5255)	190.3(4833)	5.3(135)	5.3(135)	15.4(391)	6	6	3000(1350)	3500(1570)	
Duplex full-free lifting mast	XC15M450	177.2(4500)	110.8(2813.5)	214.8(5455)	198.1(5033)	5.3(135)	5.3(135)	15.4(391)	6	6	2860(1300)	3260(1480)	
	XC15M480	189(4800)	116.7(2963.5)	226.6(5755)	210(5333)	5.3(135)	5.3(135)	15.4(391)	6	6	2690(1220)	3080(1400)	
	XC15M500	196.9(5000)	120.6(3063.5)	234.4(5955)	217.8(5533)	5.3(135)	5.3(135)	15.4(391)	6	6	2420(1100)	2860(1300)	
	XC15U200	78.7(2000)	57.6(1463.5)	115.9(2945)	99.8(2535)	20.4(518.5)	36.6(928.5)	15.4(391)	6	6	3000(1350)	3500(1570)	
	XC15U250	98.4(2500)	67.5(1713.5)	135.6(3445)	119.5(3035)	30.3(768.5)	46.4(1178.5)	15.4(391)	6	8	3000(1350)	3500(1570)	
	XC15U270	106.3(2700)	71.4(1813.5)	143.5(3645)	127.4(3235)	34.2(868.5)	50.3(1278.5)	15.4(391)	6	8	3000(1350)	3500(1570)	
	XC15U300	118.1(3000)	77.3(1963.5)	155.3(3945)	139.2(3535)	40.1(1018.5)	56.2(1428.5)	15.4(391)	6	8	3000(1350)	3500(1570)	
	XC15U330	129.9(3300)	83.2(2113.5)	167.1(4245)	151(3835)	46(1168.5)	62.1(1578.5)	15.4(391)	6	8	3000(1350)	3500(1570)	
	XC15U350	137.8(3500)	87.1(2213.5)	175(4445)	158.9(4035)	49.9(1268.5)	66.1(1678.5)	15.4(391)	6	8	3000(1350)	3500(1570)	
	XC15U360	141.7(3600)	89.1(2263.5)	178.9(4545)	162.8(4135)	51.9(1318.5)	68.1(1728.5)	15.4(391)	6	8	3000(1350)	3500(1570)	
Triplex full-free lifting mast	XC15U370	145.7(3700)	91.1(2313.5)	182.9(4645)	166.7(4235)	53.9(1368.5)	70(1778.5)	15.4(391)	6	8	3000(1350)	3500(1570)	
	XC15U400	157.5(4000)	99(2513.5)	194.7(4945)	178.5(4535)	61.8(1568.5)	77.9(1978.5)	15.4(391)	6	8	3000(1350)	3500(1570)	
	XC15N400	157.5(4000)	73.4(1863.5)	195.1(4955)	179.1(4550)	36.2(918.5)	52.1(1323.5)	15.7(399)	6	6	3000(1350)	3500(1570)	
	XC15N430	169.3(4300)	77.3(1963.5)	206.9(5255)	190.9(4850)	40.1(1018.5)	56(1423.5)	15.7(399)	6	6	2820(1280)	3300(1500)	
	XC15N450	177.2(4500)	79.3(2013.5)	214.8(5455)	198.8(5050)	42.1(1068.5)	58(1473.5)	15.7(399)	6	6	2640(1200)	3130(1420)	
	XC15N480	189(4800)	83.2(2113.5)	226.6(5755)	210.6(5350)	46(1168.5)	61.9(1573.5)	15.7(399)	6	6	2470(1120)	2950(1340)	
	XC15N500	196.9(5000)	87.1(2213.5)	234.4(5955)	218.5(5550)	49.9(1268.5)	65.9(1673.5)	15.7(399)	6	6	2310(1050)	2770(1260)	
	XC15N550	216.5(5500)	93.8(2383.5)	253.7(6445)	237.8(6040)	56.6(1438.5)	72.6(1843.5)	15.7(399)	3	6	1940(880)	2420(1100)	
	XC15N600	236.2(6000)	101.7(2583.5)	273.4(6945)	257.5(6540)	64.5(1638.5)	80.5(2043.5)	15.7(399)	3	6	1320(600)	1760(800)	

With sideshifter minus 400lb(200kg)/with integral sideshifter minus 200lb(100kg).

Battery and compartment size

Model		CPD15-XD2-C	CPD18-XD2-C	CPD20-XD2-C	CPD25-XD2-C	CPD25-XLD2-C	CPD30-XD2-C	CPD32-XD2-C	
Voltage	V	36/48			36/48		36/48		
Capacity	Ah(max)	800/600			1320/990		1540/1100		
	Ah(min)	630/510			1020/765		1190/850		
Battery Compartment	"X" Max.	mm(in)	878(34.57)		980(38.58)		980(38.58)		
	"Y" Max.	mm(in)	680(26.77)		766(30.16)		861(33.90)		
	"Z" Max.	mm(in)	605(23.82)		605(23.82)		605(23.82)		
Batt.Wt.	Maximum	Kg(lb)	970(2145)		1431(3154)		1613(3555)		
	Minimum	Kg(lb)	880(1940)		1088(2400)		1360(3000)		

4,000/5,000lb X series mast: (cushion)

Type	Model	Lifting height in(mm)	Overall height				Free lifting height		Front Overhang in(mm)	Tilting range		Capacity		
			Lowered in(mm)	Extended		With backrest in(mm)	Without backrest in(mm)	Forward deg		Backward deg	Load capacity at 24 in (600mm)			
				With backrest in(mm)	Without backrest in(mm)						4000lb lb(kg)	5000lb lb(kg)	5000lb LW lb(kg)	
Duplex wide view mast	XC25M200	78.7(2000)	57.9 (1470)	119.9 (3046)	105.9(2692)	5.5 (140)	5.5 (140)	16.8(427)	6	8	4000(1810)	5000(2270)	5000(2270)	
	XC25M250	98.4(2500)	67.7 (1720)	139.6 (3546)	125.6(3192)	5.5 (140)	5.5 (140)	16.8(427)	6	8	4000(1810)	5000(2270)	5000(2270)	
	XC25M270	106.3(2700)	71.7 (1820)	147.5 (3746)	133.5(3392)	5.5 (140)	5.5 (140)	16.8(427)	6	8	4000(1810)	5000(2270)	5000(2270)	
	XC25M300	118.1(3000)	77.6 (1970)	159.3 (4046)	145.3(3692)	5.5 (140)	5.5 (140)	16.8(427)	6	8	4000(1810)	5000(2270)	5000(2270)	
	XC25M330	129.9(3300)	83.5 (2120)	171.1 (4346)	157.1(3992)	5.5 (140)	5.5 (140)	16.8(427)	6	8	4000(1810)	5000(2270)	5000(2270)	
	XC25M350	137.8(3500)	87.4 (2220)	179 (4546)	165(4192)	5.5 (140)	5.5 (140)	16.8(427)	6	8	4000(1810)	5000(2270)	5000(2270)	
	XC25M360	141.7(3600)	91.3 (2320)	182.9 (4646)	168.9(4292)	5.5 (140)	5.5 (140)	16.8(427)	6	8	4000(1810)	5000(2270)	5000(2270)	
	XC25M370	145.7(3700)	93.3(2370)	186.9(4746)	172.9(4392)	5.5 (140)	5.5 (140)	16.8(427)	6	8	4000(1810)	5000(2270)	5000(2270)	
	XC25M400	157.5(4000)	101.2 (2570)	198.7 (5046)	184.7(4692)	5.5 (140)	5.5 (140)	16.8(427)	6	8	4000(1810)	5000(2270)	5000(2270)	
	XC25M430	169.3(4300)	107.1 (2720)	210.5 (5346)	196.5(4992)	5.5 (140)	5.5 (140)	16.8(427)	6	6	4000(1810)	5000(2270)	5000(2270)	
	XC25M450	177.2(4500)	111 (2820)	218.3 (5546)	204.4(5192)	5.5 (140)	5.5 (140)	16.8(427)	6	6	3920(1780)	4910(2230)	4910(2230)	
	XC25M480	189(4800)	116.9 (2970)	230.2 (5846)	216.2(5492)	5.5 (140)	5.5 (140)	16.8(427)	6	6	3810(1730)	4760(2160)	4760(2160)	
XC25M500	196.9(5000)	120.9 (3070)	238 (6046)	224(5692)	5.5 (140)	5.5 (140)	16.8(427)	6	6	3670(1665)	4580(2080)	4580(2080)		
Duplex full-free lifting mast	XC25U200	78.7(2000)	57.8(1470)	119.9 (3046)	103.2(2622)	16.6(424)	33.3(848)	16.8(427)	6	8	4000(1810)	5000(2270)	5000(2270)	
	XC25U250	98.4(2500)	67.7(1720)	139.6 (3546)	122.9(3122)	26.5(674)	43.2(1098)	16.8(427)	6	8	4000(1810)	5000(2270)	5000(2270)	
	XC25U270	106.3(2700)	71.6(1820)	147.5 (3746)	130.7(3322)	30.4(774)	47.1(1198)	16.8(427)	6	8	4000(1810)	5000(2270)	5000(2270)	
	XC25U300	118.1(3000)	77.5(1970)	159.3 (4046)	142.5 (3622)	36.3(924)	53(1348)	16.8(427)	6	8	4000(1810)	5000(2270)	5000(2270)	
	XC25U330	129.9(3300)	83.4(2120)	171.1 (4346)	154.4(3922)	42.2(1074)	58.9(1498)	16.8(427)	6	8	4000(1810)	5000(2270)	5000(2270)	
	XC25U350	137.8(3500)	87.4(2220)	179 (4546)	162.2(4122)	46.2(1174)	62.9(1598)	16.8(427)	6	8	4000(1810)	5000(2270)	5000(2270)	
	XC25U360	141.7(3600)	91.3(2320)	182.9 (4646)	166.2(4222)	48.1(1224)	64.8(1648)	16.8(427)	6	8	4000(1810)	5000(2270)	5000(2270)	
	XC25U370	145.7(3700)	93.3(2370)	186.9(4746)	170.1(4322)	50.1(1274)	66.8(1698)	16.8(427)	6	8	4000(1810)	5000(2270)	5000(2270)	
	XC25U400	157.5(4000)	99.2(2520)	198.7 (5046)	181.9(4622)	58(1474)	74.7(1898)	16.8(427)	6	8	4000(1810)	5000(2270)	5000(2270)	
	XC25N400	157.5(4000)	73.6(1870)	198.7 (5046)	181.9(4622)	32.4(824)	49.1(1248)	16.9(431)	6	6	4000(1810)	5000(2270)	5000(2270)	
	XC25N430	169.3(4300)	77.5(1970)	210.5 (5346)	193.7(4922)	36.3(924)	53(1348)	16.9(431)	6	6	4000(1810)	5000(2270)	5000(2270)	
	XC25N450	177.2(4500)	79.5(2020)	218.3 (5546)	201.6(5122)	38.3(974)	55(1398)	16.9(431)	6	6	3900(1770)	4890(2220)	4890(2220)	
XC25N480	189(4800)	83.4(2120)	230.2 (5846)	213.4 (5422)	42.2(1074)	58.9(1498)	16.9(431)	6	6	3790(1720)	4740(2150)	4740(2150)		
XC25N500	196.9(5000)	86.4(2195)	238 (6046)	221.3(5622)	45.2(1149)	61.9(1573)	16.9(431)	3	6	3640(1655)	4540(2060)	4540(2060)		
XC25N550	216.5(5500)	93.3(2370)	257.7 (6546)	241.6(1122)	52.1(1324)	68.8(1748)	16.9(431)	3	6	3240(1470)	4050(1804)	4050(1804)		
XC25N600	236.2(6000)	101.1 (2570)	277.4 (7046)	260.7(6622)	60(1524)	76.6(1948)	16.9(431)	3	6	2240(1020)	3000(1360)	3000(1360)		

With hang on sideshifter minus 400lb(200kg),with integral sideshifter minus 200lb(100kg).

6,000/6,500lb X series mast: (cushion)

Type	Model	Lifting height in(mm)	Overall height				Free lifting height		Tilting range		Capacity	
			Lowered in(mm)	Extended		With backrest in(mm)	Without backrest in(mm)	Forward deg	Backward deg	Load capacity at 24 in (600mm)		
				With backrest in(mm)	Without backrest in(mm)					6000lb lb(kg)	6500lb lb(kg)	
Duplex wide view mast	XC30M200	78.7(2000)	57.8(1470)	123.8 (3145)	106.3(2702)	5.3(135)	5.3(135)	6	8	6000(2720)	6500(2950)	
	XC30M250	98.4(2500)	67.7 (1720)	143.5 (3645)	126(3202)	5.3(135)	5.3(135)	6	8	6000(2720)	6500(2950)	
	XC30M270	106.3(2700)	71.6(1820)	151.4 (3845)	133.9(3402)	5.3(135)	5.3(135)	6	8	6000(2720)	6500(2950)	
	XC30M300	118.1(3000)	77.5(1970)	163.2 (4145)	145.7(3702)	5.3(135)	5.3(135)	6	8	6000(2720)	6500(2950)	
	XC30M330	129.9(3300)	83.4(2120)	175 (4445)	157.5(4002)	5.3(135)	5.3(135)	6	8	6000(2720)	6500(2950)	
	XC30M350	137.8(3500)	87.4(2220)	182.9 (4645)	165.4(4202)	5.3(135)	5.3(135)	6	8	6000(2720)	6500(2950)	
	XC30M360	141.7(3600)	91.3(2320)	186.8 (4745)	169.3(4302)	5.3(135)	5.3(135)	6	8	6000(2720)	6500(2950)	
	XC30M370	145.7(3700)	93.3(2370)	190.7 (4845)	173.3(4402)	5.3(135)	5.3(135)	6	8	6000(2720)	6500(2950)	
	XC30M400	157.5(4000)	101.1(2570)	202.6 (5145)	185.1(4702)	5.3(135)	5.3(135)	6	8	6000(2720)	6500(2950)	
	XC30M430	169.3(4300)	107 (2720)	214.4 (5445)	196.9(5002)	5.3(135)	5.3(135)	6	6	5910(2680)	6410(2910)	
	XC30M450	177.2(4500)	111(2820)	222.2 (5645)	204.8(5202)	5.3(135)	5.3(135)	6	6	5840(2650)	6350(2880)	
	XC30M480	189(4800)	116.9(2970)	234.1 (5945)	216.6(5502)	5.3(135)	5.3(135)	6	6	5730(2600)	6240(2830)	
XC30M500	196.9(5000)	120.8(3070)	241.9 (6145)	224.4(5702)	5.3(135)	5.3(135)	6	6	5530(2510)	6060(2750)		
Duplex full-free lifting mast	XC30U200	78.7(2000)	59.8(1520)	123.8 (3145)	105.7(2685)	14.7(375)	32.8(835)	6	8	6000(2720)	6500(2950)	
	XC30U250	98.4(2500)	69.6(1770)	143.5 (3645)	125.3(3185)	24.6(625)	42.7(1085)	6	8	6000(2720)	6500(2950)	
	XC30U270	106.3(2700)	73.6(1870)	151.4 (3845)	133.2(3385)	28.5(725)	46.6(1185)	6	8	6000(2720)	6500(2950)	
	XC30U300	118.1(3000)	79.5(2020)	163.2 (4145)	145(3685)	34.4(875)	52.5(1335)	6	8	6000(2720)	6500(2950)	
	XC30U330	129.9(3300)	85.4(2170)	175 (4445)	156.8(3985)	40.3(1025)	58.1(1485)	6	8	6000(2720)	6500(2950)	
	XC30U350	137.8(3500)	89.3(2270)	182.9 (4645)	164.7(4185)	44.2(1125)	62.4(1585)	6	8	6000(2720)	6500(2950)	
	XC30U360	141.7(3600)	91.3(2320)	186.8 (4745)	168.7(4285)	46.2(1175)	64.3(1635)	6	8	6000(2720)	6500(2950)	
	XC30U370	145.7(3700)	93.3(2370)	190.7(4845)	172.6(4385)	48.2(1225)	66.3(1685)	6	8	6000(2720)	6500(2950)	
	XC30U400	157.5(4000)	101.1(2570)	202.6 (5145)	184.4(4685)	56.1(1425)	74.2(1885)	6	8	6000(2720)	6500(2950)	
	XC30N400	157.5(4000)	77.6 (1970)	202.6 (5145)	184.4(4685)	32.5(825)	50.5(1285)	6	6	6000(2720)	6500(2950)	
	XC30N430	169.3(4300)	79.5(2020)	214.4 (5445)	196.2(4985)	34.4(875)	52.1(1335)	6	6	5890(2670)	6390(2900)	
	XC30N450	177.2(4500)	83.5 (2120)	222.2 (5645)	204.1(5185)	38.9(975)	56.4(1435)	6	6	5800(2630)	6300(2860)	
XC30N480	189(4800)	89.4 (2270)	234.1 (5945)	215.9(5485)	44.3(1125)	62.4(1585)	6	6	5690(2580)	6190(2810)		
XC30N500	196.9(5000)	93.3 (2370)	241.9 (6145)	223.8(5685)	48.2(1225)	66.3(1685)	6	6	5490(2490)	6040(2740)		
XC30N550	216.5(5500)	101.2 (2570)	261.6 (6645)	243.5(6185)	56.1(1425)	74.2(1885)	3	6	5090(2310)	5640(2560)		
XC30N600	236.2(6000)	111 (2820)	281.3 (7145)	263.1(6685)	65.9(1675)	84(2135)	3	6	4100(1860)	4180(1900)		

With hang on sideshifter minus 400lb(200kg),with integral sideshifter minus 200lb(100kg).



HC FORKLIFT AMERICA CORPORATION

Company address:

10405-A Granite Street Charlotte,
NC 28273

Toll Free: 888-652-8395

Phone: 980-888-8335

Fax: 980-888-8336

america@hcforklift.com
www.hcforkliftamerica.com



ISO14001:2015



ISO9001:2015



Follow us on
Facebook



Follow us on
YouTube



Follow us on
WeChat



Download "Hangcha
Forklift" App

HANGCHA GROUP CO., LTD. reserves the right to make any changes without notice concerning colors, equipment, or specifications detailed in this brochure, or to discontinue individual models. The colors of trucks, delivered may differ slightly from those in brochures.