

XC Series Electric Pneumatic Tire Forklift With Lithium-ion Technology

with capacity of 4,000 to 7,000lbs

LI-ION
TECHNOLOGY

INNOVATIVE LITHIUM-ION



The World of Hangcha
SINCE 1956


HANGCHA
 AMERICA

INNOVATIVE SOLUTIONS NEW POWER NOW

The XC series new energy electric forklifts, covering range from 4,000 to 7,000lbs, is a series of products with new chassis launched by HANGCHA.

Innovative, reliable lithium-ion technology, which are developed jointly by HANGCHA and CATL. Battery cells and modules are from CATL, with reliable quality, exclusively for HANGCHA.

Rapid charging and opportunity charging ensure continuous availability of trucks.

Lightweight design, flexible, high level of energy efficiency, maintenance-free, long service life.

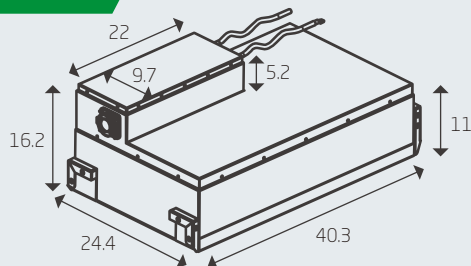


High capacity Iron phosphate battery packs

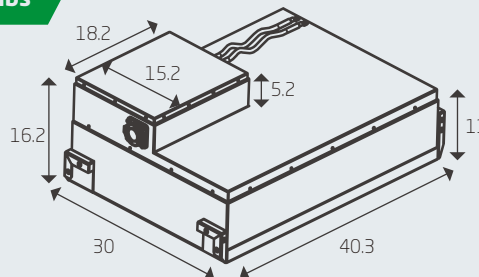
Integrated Battery Management System (BMS) continually monitors energy management and ensures reliable operation. HANGCHA provides Li-Ion battery with 10 year or 20000 hours warranty.

		Battery capacity (kW-h)
Pack1	4000-5000lbs: standard	80V*271Ah, 21.68Kwh
Pack2	4000-5000lbs: optional	80V*404Ah, 32.32Kwh
Pack3	6000-7000lbs: standard	80V*404Ah, 32.32Kwh
Pack4	6000-7000lbs: optional	80V*542Ah, 43.36Kwh

4000-5000lbs



6000-7000lbs



Excellent Ergonomic Design

- / The truck has a large operating space more than **50%** larger than the traditional electric truck.
- / The dashboard in the driver's cab is placed overhead and can be seen when the driver lifts her/his head, and the function buttons can be pressed easily.
- / For the optional integrated fingertip control system, the combined operating armrest integrates the emergency cut-off, horn and quadruple thumb switches, etc., is electrically controlled through the CAN bus and is highly reliable.
- / The enlarged brake pedal and appropriate regenerative braking function can effectively reduce the driver's fatigue.



Advantages



The high-frequency MOSFET integrated controller ensures smooth and accurate driving and lifting control, and has excellent speed regulation performance, good performance of electronic control matching the motor, functions of regenerative braking, reverse braking and anti-sliding on ramps, etc., and high safety and reliability.

The rear axle is provided with a flexible suspension system (for standard configuration and automatic deceleration at turns improve the driver's comfort.

The ultra-high power AC traction motor has a bridge structure.

An ultra-high power AC pump motor is used. The system has high efficiency, complete protection functions, built-in speed and temperature sensors, and greatly improved reliability and life.

RELIABLE TRUCKS



HANGCHA provides Li-Ion battery (LiFePO4) with 10-years or 20000 hours warranty.



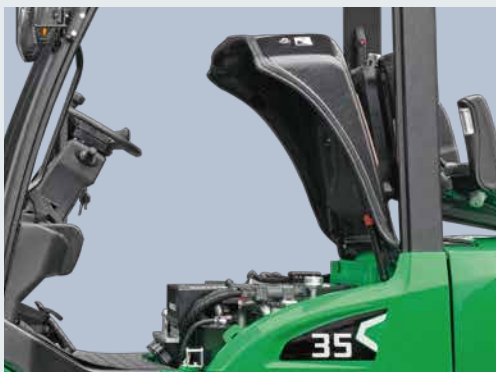
**10 YEAR
WARRANTY**

Easy operations and maintenance

Internal Components Protected with Fully-sealed Hood, controllers, motors electrical components, etc. are sealed from dust and water.



IPX4 water resistance rating, suitable for outdoor operation



The hood can be opened at a large angle facilitating the maintenance.





Safety

The optional OPS system can disable the lowering when the driver leaves the seat and enable high safety.

The standard configuration provides soft landing system. In addition, an optional lift buffering system is provided to protect the goods from falling and damaging the ground.

The handbrake can be optionally equipped with an alarm buzzer to prompt the driver to pull up the handbrake before leaving the truck.



Three horn buttons are provided, which are respectively on the driver's steering wheel, thumb switch equipped armrest (optional) and reverse armrest (optional), for alerting and protecting the surrounding people.



A PIN code should be provided before entering the system. 99 sets of PIN codes are available for the administrator. The truck is highly secured and irrelevant personnel cannot start the truck.

Main Accessories

The main electrical components such as the controller, contactor, power plug, emergency cut-off switch, dashboard, accelerator, are all products of well-known world brands.

The emergency cut-off switch equipped for the standard configuration complies with EU regulations.

The truck has passed the CE certification.



IP67 Protection Rating



Quick charge < 2.0h,
Working time > 9.0h

Comfort

Owing to the low center of gravity and good stability, the driver feels comfortable during turning.

The ergonomically designed adjustable steering wheel makes the driver feel good. The seat can be adjusted back and forth by 8.3".

The operator can choose the best driving position.

New designed mast increases the wide view by 15% .

With friendly human-computer interfaces, the 4.33" True Color Screen instruments have good visibility and clear readings.

Silence, no pollution, energy saving and other advantages meet the environmental protection requirements.



Grammer fingertip (Optional)



Options

- / Battery side roll out with slide or roller
- / Pin code or card
- / Solid pneumatic tires
- / Non mark solid tires
- / Left and right rear view mirrors
- / Backup camera
- / Front/rear blue lights
- / Rear working lights
- / Charger (Titan)
- / Rear handle with horn
- / Hood with a key lock
- / OPS system
- / Lift buffering system
- / Multi way valves
- / Integrated fingertip control system
- / Widened / heightened load backrest
- / Widened fork carriage
- / Other length forks
- / Full free duplex mast
- / Full free triplex mast
- / Sideshifter
- / Other attachments
- / Grammer MSG531 suspension seat

Standard specification

- / Battery pack side roll out
- / Lithium packs with low temperature electric heating systems
- / High-power AC drive motor
- / High-power AC pump motor
- / Low noise gear pump
- / Multi-function color screen instrument cluster
- / Large integral rubber pedal pad
- / LED combination headlights, LED rear combination taillights
- / Stamped iron hood
- / Automatic deceleration at turns
- / Soft landing system
- / SPE power selection
- / Charging muzzle meeting national standards
- / Electronic cooling fan
- / Emergency cut-off switch
- / Reversing buzzer
- / Traction pin
- / Folder
- / Load sensing steering system
- / Duplex mast
- / Tilt cylinder jacket

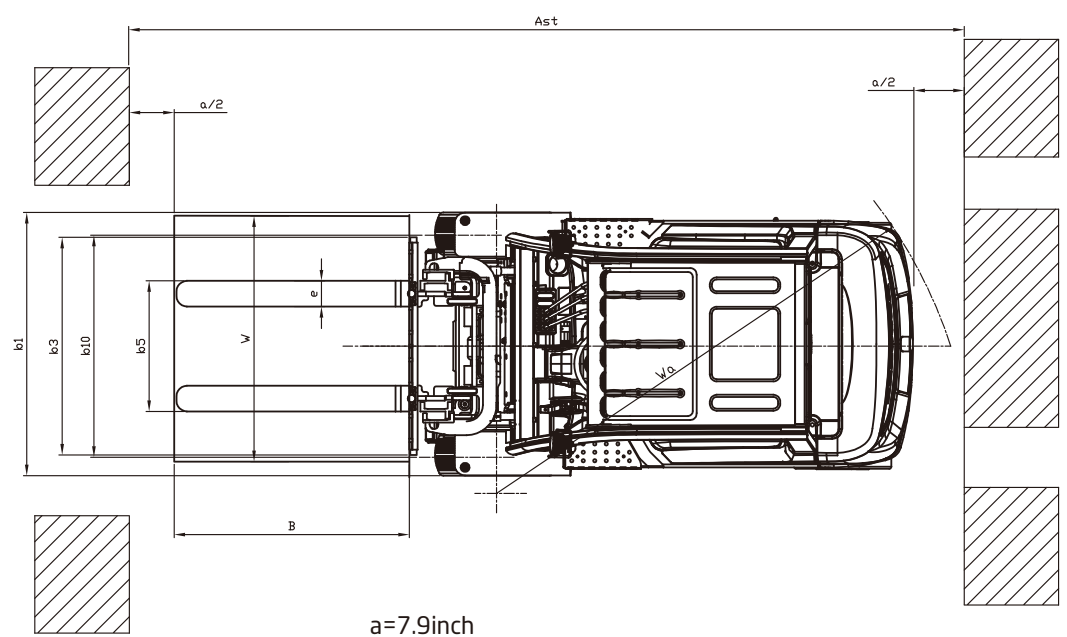
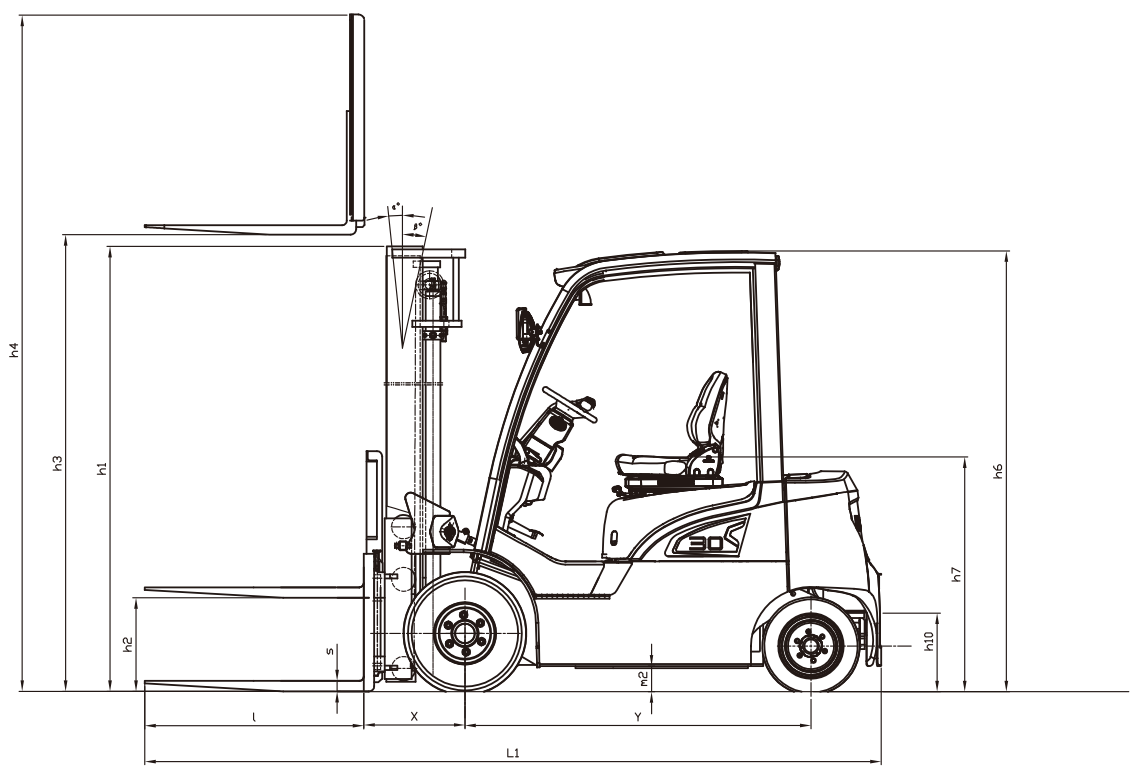


35

Li-ION BATTERY
HANGCHA

XC Series Electric Pneumatic Tire Forklift

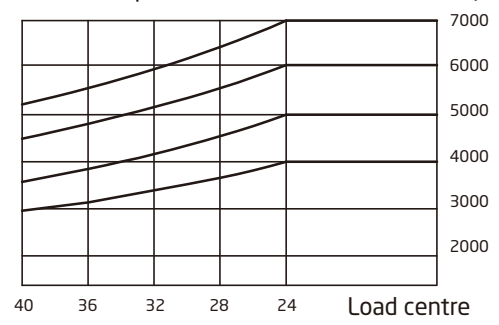
				HANGCHA GROUP CO.,LTD.				
				FB20Li	FB25Li	FB30Li	FB35Li	
Distinguishing mark	1.1	Manufacturer						
		HCFA Model		FB20Li	FB25Li	FB30Li	FB35Li	
	1.2	Manufacturers type designation		CPD20-XD4-SI26	CPD25-XD4-SI26	CPD30-XD4-SI26	CPD35-XD4-SI26	
	1.3	Drive: electric (battery or mains), diesel, petrol, fuel gas		Electric	Electric	Electric	Electric	
	1.4	Operator type: hand, pedestrian, standing, seated, order-picker		Seated	Seated	Seated	Seated	
	1.5	Load capacity/rated load	Q	lb (kg)	4000(1810)	5000(2270)	6000(2720)	7000(3170)
	1.6	Load centre distance	c	in (mm)	24(600)	24(600)	24(600)	24(600)
	1.8	Load distance, centre of drive axle to fork	x	in (mm)	17.5(444)	17.5(444)	19(482)	19(482)
	1.9	Wheelbase	y	in (mm)	59.8(1520)	59.8(1520)	65(1650)	65(1650)
Weight	2.1	Service Weight		lb (kg)	7980(3620)	8640(3920)	10450(4740)	11200(5080)
	2.2	Axle loading, laden front/rear		lb (kg)	11110/1500(5040/680)	12830/1543(5820/700)	14870/2414(6745/1095)	17190/1490(7800/880)
	2.3	Axle loading, unladen front/rear		lb (kg)	3571/4410(1620/2000)	3681/4960(1670/2250)	4431/6018(2010/2730)	4630/6570(2100/2980)
Tyres, chassis	3.1	Tyres: solid rubber, superelastic, pneumatic, polyurethane			Pneumatic	Pneumatic	Pneumatic	Pneumatic
	3.2	Tyre size, front			23×9-10	23×9-10	23×9-10	23×10-12
	3.3	Tyre size, rear			18×7-8	18×7-8	18×7-8	200/50-10
	3.5	Wheels, number front rear (x = driven wheels)			2x/2	2x/2	2x/2	2x/2
	3.6	Tread, front	b10 (mm)	in (mm)	42(1068)	42(1068)	42(1068)	42(1068)
	3.7	Tread, rear	b11 (mm)	in (mm)	37.8(960)	37.8(960)	37.8(960)	37.8(960)
	Dimensions	4.1	Tilt of mast/fork carriage forward/backward	α / β	(°)	6/12	6/12	6/12
4.2		Height, mast lowered	h1	in (mm)	78.7(2001)	78.7(2001)	84.6(2151)	84.6(2151)
4.3		Free lift	h2	in (mm)	5.5(140)	5.5(140)	5.7(145)	5.7(145)
4.4		Lift	h3	in (mm)	118.1(3000)	118.1(3000)	118.1(3000)	118.1(3000)
4.5		Height, mast extended	h4	in (mm)	159(4040)	159(4040)	162.8(4135)	162.8(4135)
4.7		Height of overhead guard STD.	h6	in (mm)	82.6(2100)	82.6(2100)	82.6(2100)	82.6(2100)
4.8		Seat height/stand height	h7	in (mm)	44(1120)	44(1120)	44(1120)	44(1120)
4.12		Coupling height	h10	in (mm)	16.9(430)	16.9(430)	16.9(430)	16.9(430)
4.19		Overall length	l1	in (mm)	132.6(3370)	132.6(3370)	132.6(3370)	132.6(3370)
4.20		Length to face of forks	l2	in (mm)	90.5(2300)	90.5(2300)	97.6(2480)	97.6(2480)
4.21		Overall width	b1	in (mm)	49.3(1252)	49.3(1252)	49.3(1252)	51.1(1298)
4.22		Fork dimensions	s/e/l	in (mm)	1.6×4.8×42(40/122/1070)	1.6×4.8×42(40/122/1070)	1.8×4.8×42(45/122/1070)	1.8×4.8×42(45/122/1070)
4.23		Fork carriage DIN 15 173 --- ISO 2328, class/type A,B			ISO2328 2A	ISO2328 2A	ISO2328 3A	ISO2328 3A
4.24		Fork-carriage width	b3	in (mm)	43.3(1100)	43.3(1100)	43.3(1100)	43.3(1100)
4.25		Distance between fork-arms	b5	in (mm)	290/1100(11.4/43.3)	290/1100(11.4/43.3)	290/1100(11.4/43.3)	290/1100(11.4/43.3)
4.31		Ground clearance, laden, below mast	m1	in (mm)	3.9(100)	3.9(100)	3.9(100)	3.9(100)
4.32		Ground clearance, centre of wheelbase	m2	in (mm)	4.9(125)	4.9(125)	4.9(125)	4.9(125)
4.34.1		Aisle width for pallets 1000 x 1200 crossways	Ast	in (mm)	147(3734)	147(3734)	155.7(3955)	155.7(3955)
4.34.2		Aisle width for pallets 800 x 1200 Lengthways	Ast	in (mm)	154.8(3934)	154.8(3934)	163.5(4155)	163.5(4155)
4.35		Turning radius	Wa	in (mm)	82.2(2090)	82.2(2090)	89.3(2270)	89.3(2270)
4.36	Internal turning radius	b13	in (mm)	25.7(655)	25.7(655)	28.7(730)	28.7(730)	
Performance Data	5.1	Travel speed, laden/unladen		mph (km/h)	11.1/11.8(18/19)	11.1/11.8(18/19)	11.1/11.8(18/19)	11.1/11.8(18/19)
	5.2	Lift speed, laden/unladen		fpm (m/s)	88.5/110(0.450/0.560)	85/110(0.430/0.560)	76.7/106(0.390/0.540)	72.8/106(0.370/0.540)
	5.3	Lowering speed, laden/unladen		fpm (m/s)	88.5/82.6(0.450/0.420)	92.5/82.6(0.470/0.420)	88.5/82.6(0.450/0.420)	92.5/82.6(0.470/0.420)
	5.5	Drawbar pull, laden/unladen		lbf (N)	2925/3150(13000/14000)	3825/4050(17000/18000)	4500/4725(20000/21000)	4612/4725(20500/21000)
	5.6	Max. Drawbar pull, laden/unladen		lbf (N)	3375(15000)	4275(19000)	4950(22000)	5175(23000)
	5.7	Gradeability, laden/unladen		%	20/20	20/20	20/20	20/20
	5.8	Max. gradeability, laden/unladen		%	20/20	20/20	20/20	20/20
	5.9	Acceleration time, laden/unladen (0-10m)		s	4.9/4.8	5.0/4.9	5.3/5.1	5.4/5.2
	5.10	Service brake			Hydraulic	Hydraulic	Hydraulic	Hydraulic
	5.11	Parking brake			Mechanical	Mechanical	Mechanical	Mechanical
	Electric-engine	6.1	Drive motor rating S2 60 min		HP (kW)	22.3(16.6)AC	22.3(16.6)AC	22.3(16.6)AC
6.2		Lift motor rating at S3 15%		HP (kW)	34.2(25.5)AC	34.2(25.5)AC	34.2(25.5)AC	34.2(25.5)AC
6.3		Battery voltage, Std.		V/Ah	80/271	80/271	80/404	80/404
		Battery voltage, Opt.		V/Ah	80/404	80/404	80/542	80/542
6.5		Min. battery weight		lb (kg)	485(220)	485(220)	485(220)	485(220)
		Max. battery weight		lb (kg)	617(280)	617(280)	617(280)	617(280)
8.1		Type of drive control			MOSFET/AC	MOSFET/AC	MOSFET/AC	MOSFET/AC
9.1		Manufacturer			INMOTION	INMOTION	INMOTION	INMOTION
Addition data		10.1	Operating pressure for attachments		psi (bar)	2538(175)	2538(175)	2538(175)
	10.2	Oil volume for attachments		l/min	65	65	65	65
	10.3	Hydraulic Tank - capacity (drain & refill)		liter	28	28	28	28
	10.7	Sound level at the driver's ear according to EN / DIN 12 053		dB (A)	75	75	75	75
	10.8	Towing coupling, type DIN			Φ25 Pin	Φ25 Pin	Φ25 Pin	Φ25 Pin



$a = 7.9 \text{ inch}$
 $A_{st} = a + Wa + X + B$

3M duplex mast

Load capacity





HC FORKLIFT AMERICA CORPORATION

Company address:
10405-A Granite Street Charlotte,
NC 28273

Toll Free: 888-652-8395
Phone: 980-888-8335
Fax: 980-888-8336

america@hcforklift.com
www.hcforkliftamerica.com



Follow us on
Facebook



Follow us on
YouTube



Follow us on
WeChat

HANGCHA GROUP CO., LTD. reserves the right to make any changes without notice concerning colors, equipment, or specifications detailed in this brochure, or to discontinue individual models. The colors of trucks, delivered may differ slightly from those in brochures.